

TYSONIC NON-SPILLABLE SEALED RECHARGEABLE BATTERY

TY490 4V, 9.0Ah

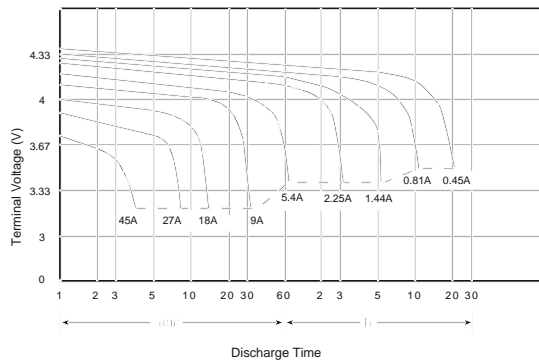
☆ SPECIFICATION

- NOMINAL VOLTAGE : 4 V
- NOMINAL CAPACITY(20 hrs) : 9 Ah
- DIMENSIONS
 - TOTAL HEIGHT : 100.5 mm (3.96 inches)
 - CONTAINER HEIGHT : 94.5 mm (3.72 inches)
 - LENGTH : 102 mm (4.02 inches)
 - WIDTH : 43.5 mm (1.71 inches)
- WEIGHT : APPROX 1.20 Kg (2.64 lbs)
- MAX DISCHARGE CURRENT : 90 A (5 sec)
- STANDARD TERMINALS : FO-02
- CONTAINER MATERIAL : GENERAL GRADE ABS

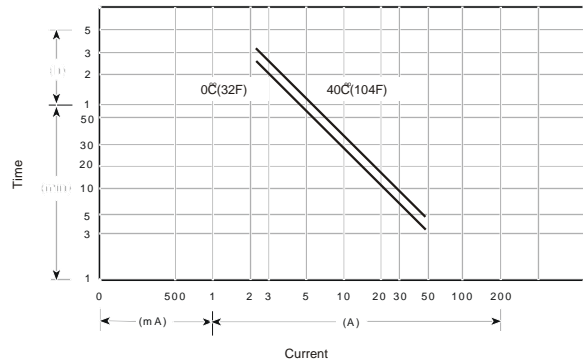
☆ CHARACTERISTICS

- CAPACITY 25 C / 77 F
 - 20 hr @ 0.45 A : 9 Ah
 - 5 hr @ 1.44 A : 7.2 Ah
 - 1 hr @ 5.4 A : 5.4 Ah
 - 1 C @ 9 A : 4.5 Ah
- INTERNAL RESISTANCE(): 6 m 25C°, 77 F Ω
- CHARGING VOLTAGE (25C, 77 F°)
 - STANDBY USE : 2.2750.025 V/CELL
 - : (-3.3mV / C / CELL)
 - CYCLE USE : 2.450.05 V/CELL
 - : (-5 mV / C / CELL) °
- MAX CHARGING CURRENT : 2.7 A

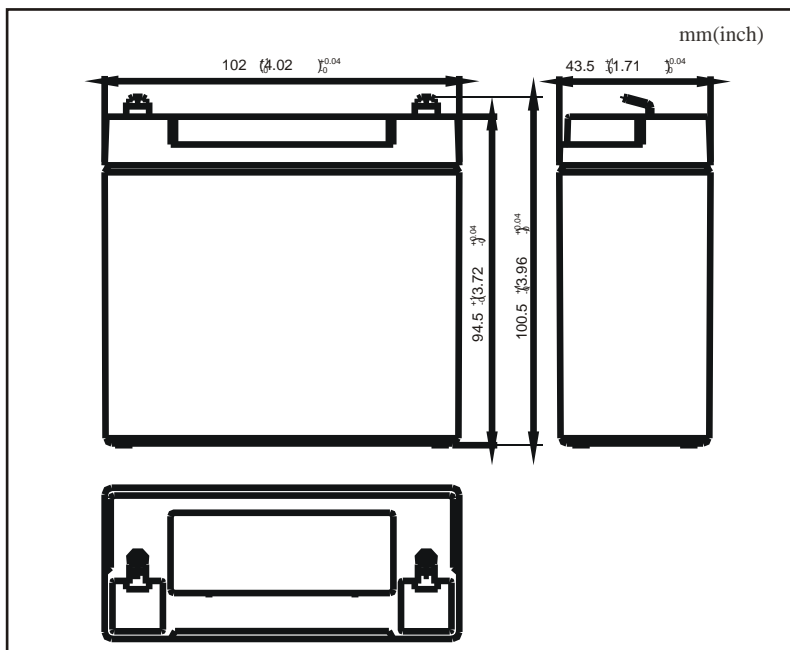
Discharge Characteristics 25 C (77 F)°



Discharge Current vs Time



☆ Dimensions



☆ Terminal

