

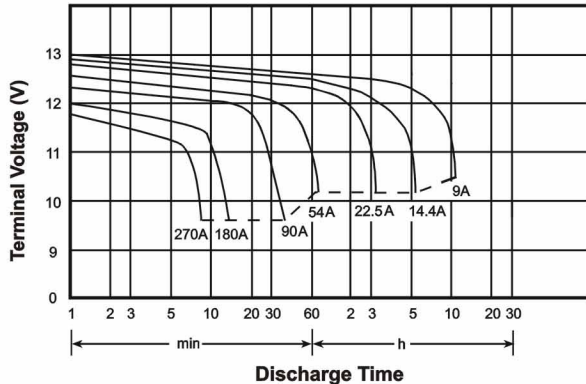


NON-SPILLABLE SEALED RECHARGEABLE BATTERY

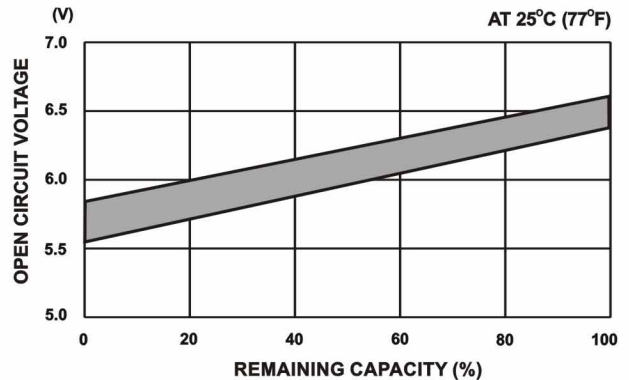
TY-FT12-90

☆ SPECIFICATION	☆ CHARACTERISTICS
● NOMINAL VOLTAGE : 12 V	● CAPACITY 25 °C / 77 °F
● NOMINAL CAPACITY(10 hrs) : 90 Ah	10 hr @ 9A : 90 Ah
● DIMENSIONS	5 hr @ 14.4 A : 72 Ah
TOTAL HEIGHT : 286 mm (11.3 inches)	3 hr @ 22.5 A : 67.5 Ah
CONTAINER HEIGHT : 286 mm (11.3 inches)	1 hr @ 54A : 54 Ah
LENGTH : 394 mm (15.5 inches)	1 C @ 90 A : 45Ah
WIDTH : 109 mm (4.3 inches)	● INTERNAL RESISTANCE(25°C , 77 °F) : 4.5 mΩ
WEIGHT : APPROX 32.4 kg (71.4 lbs)	● CHARGING VOLTAGE (25°C , 77 °F)
● MAX DISCHARGE CURRENT : 720A (5 sec)	STANDBY USE : 2.275 ± 0.025 V/CELL
● MAX SHORT- DURATION DISCHARGE CURRENT : 1800 A(0.1 sec)	: (-3.3mV / °C / CELL)
● STANDARD TERMINALS : RECEPTACLE TERMINAL	CYCLE USE : 2.45 ± 0.05 V/CELL
● CONTAINER MATERIAL : GENERAL GRADE ABS	: (-5 mV / °C / CELL)
● DESIGN LIFE FOR STANDBY USE AT 20°C(68°F): 10 YEARS	● MAX CHARGING CURRENT : 27 A

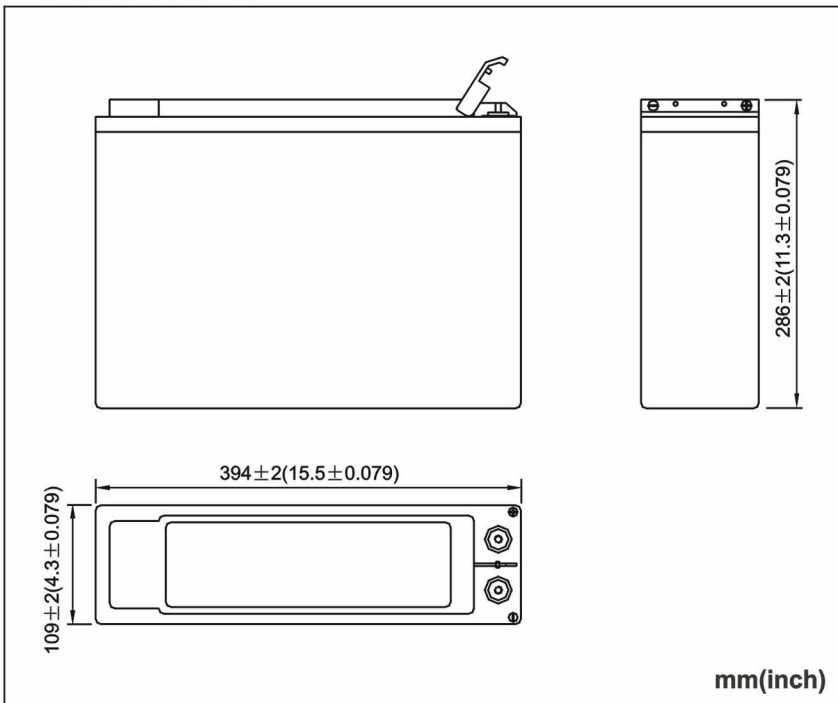
Discharge Characteristics 25 °C (77 °F)



OPEN CIRCUIT VOLTAGE VS REMAINING CAPACITY



☆ Dimensions



☆ Terminal

