

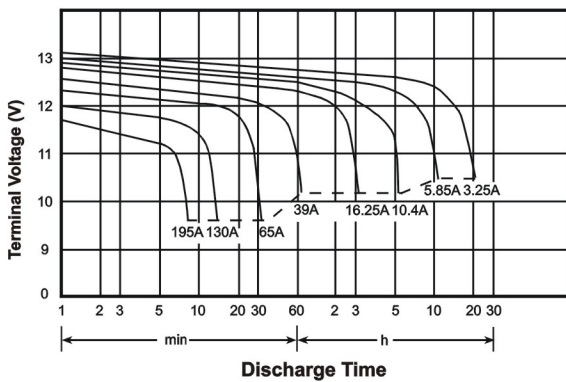


NON-SPILLABLE SEALED RECHARGEABLE BATTERY

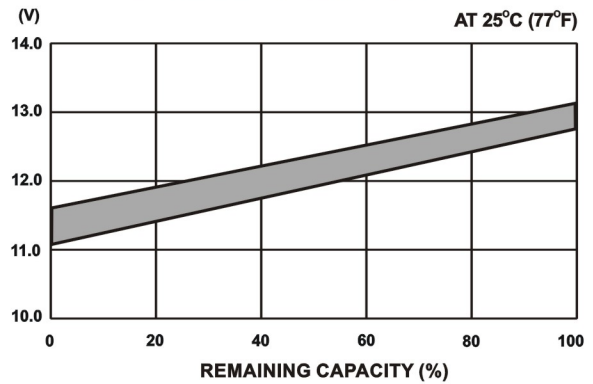
# GEL12650AG 12V, 65Ah

☆ SPECIFICATION	☆ CHARACTERISTICS
● NOMINAL VOLTAGE : 12 V	● CAPACITY 25 °C / 77 °F
● NOMINAL CAPACITY(20 hrs) : 65.0 Ah	20 hr @ 3.25 A : 65 Ah
● DIMENSIONS	10 hr @ 5.85 A : 58.5 Ah
TOTAL HEIGHT : 174 mm ( 6.85 inches )	5 hr @ 10.4 A : 52 Ah
CONTAINER HEIGHT : 174 mm ( 6.85 inches )	1 hr @ 39 A : 39 Ah
LENGTH : 350 mm ( 13.78 inches )	1 C @ 65 A : 32.5 Ah
WIDTH : 166 mm ( 6.54 inches )	● INTERNAL RESISTANCE(25°C , 77 °F) : 7 mΩ
WEIGHT : APPROX22.70 kg ( 50.04 lbs )	● CHARGING VOLTAGE ( 25°C , 77 °F )
● MAX DISCHARGE CURRENT : 520 A ( 5 sec )	STANDBY USE : 2.275±0.025 V/CELL
● MAX SHORT- DURATION DISCHARGE CURRENT : 1300 A( 0.1 sec )	: (-3.3mV / °C / CELL)
● STANDARD TERMINALS : FP-28/RT-19	CYCLE USE : 2.45±0.05 V/CELL
● CONTAINER MATERIAL : GENERAL GRADE ABS	: (-5 mV / °C / CELL)
	● MAX CHARGING CURRENT : 19.5 A

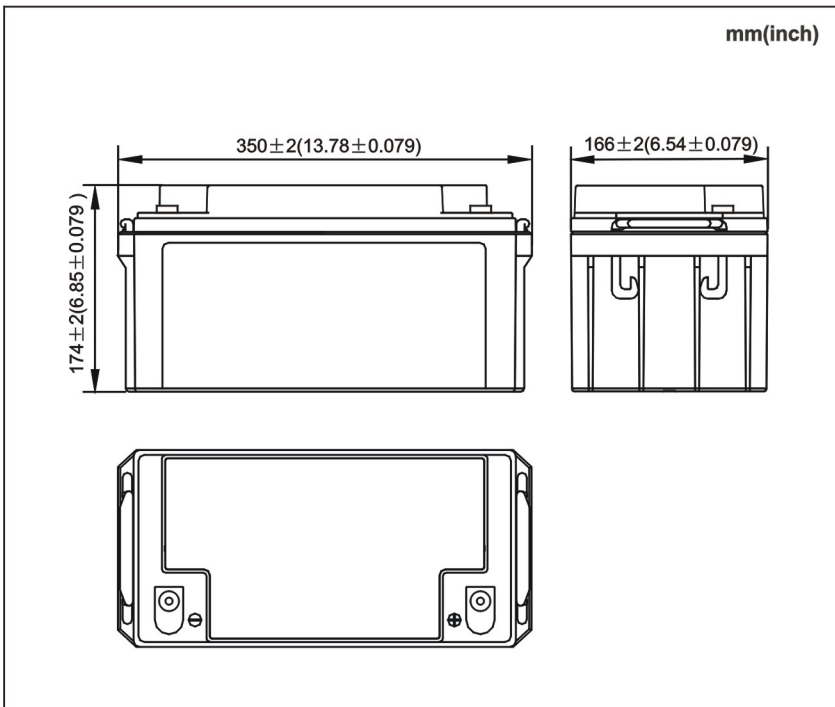
Discharge Characteristics 25 °C (77 °F)



OPEN CIRCUIT VOLTAGE VS REMAINING CAPACITY



## ☆ Dimensions



## ☆ Terminal

