

stored energy solutions for a demanding world



Model: **GFM1500**

GFM Series

The GFM range of gel technology batteries offers outstanding performance including a 15+ years design life. The GFM series is designed by using the polymer gel electrolyte and compliant with the latest IEC60896-21/22 standard. This GFM series also offers 100% capacity out of the box and is capable of handling deep discharges for complete peace of mind. The multiple installations to both horizontally and vertically are easily accessible due to the flexible connectors design.



Specifications

Battery Model	GFM1500			
Nominal Voltage	2V			
Capacity (25°C)	10HR (150A, 1.80V)	3HR (370A, 1.80V)		1HR (825A, 1.75V)
	1500AH	1125AH		825AH
Dimensions	Length	Width	Height	Total Height
	265.5mm	229mm	555mm	566mm
Approx. Weight	93kg			
Internal Resistance	0.15mΩ			
Max Charge Current Allowed	375A			
Charge Voltage (25°C)	Cycle use		Float use	
	2.35V/cell		2.25V/cell	
Temperature Ranges	Operation (maximum):		-40°C to 55°C (-40°F to 131°F)	
	Operation (recommended):		15°C to 25°C (59°F to 77°F)	
	Storage:		-20°C to 40°C (-4°F to 104°F)	
Terminal	M8 Female			
Terminal Hardware Torque	15 ± 1.0Nm			
Container Material	ABS (V0 optional)			

Constant Current Discharge Characteristics Units: Amperes (25°C, 77°F)

End voltage per cell	5min	15min	30min	1hr	2hr	3hr	5hr	6hr	8hr	10hr	24hr	48hr	100hr
1.60V	2182.6	1836.5	1492.4	983.5	605.6	444.6	287.8	247.9	194.1	159.2	73.8	39.4	22.1
1.65V	2046.7	1728.6	1361.0	928.2	588.4	432.6	284.2	245.0	192.4	158.3	72.7	39.1	21.8
1.70V	1923.5	1635.8	1244.6	882.0	568.2	413.2	277.1	239.1	189.7	155.8	72.4	38.8	21.4
1.75V	1814.5	1539.6	1147.6	826.8	547.3	403.7	272.4	235.5	187.1	154.5	71.7	38.3	20.8
1.80V	1714.2	1435.9	1074.5	784.5	530.8	391.2	264.3	229.3	182.0	152.4	70.2	37.6	20.2
1.85V	1471.7	1221.4	944.7	698.4	478.5	362.1	249.4	218.3	176.2	146.2	68.2	35.8	19.5
1.90V	1205.4	964.3	785.0	574.0	400.0	321.9	225.9	197.0	158.8	133.2	63.7	33.5	18.0

Discharge Data with Constant Power Units: Watts per cell (25°C, 77°F)

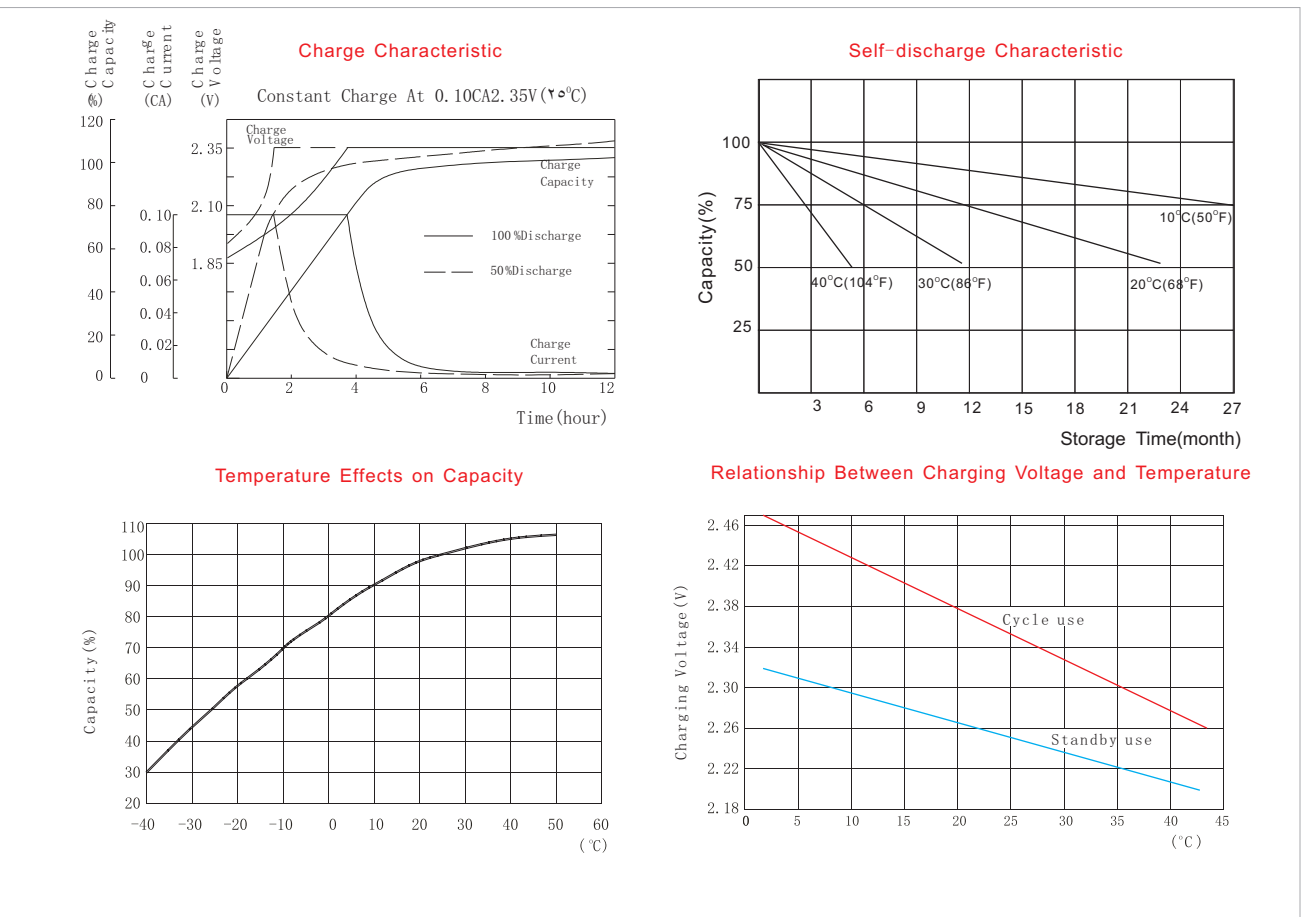
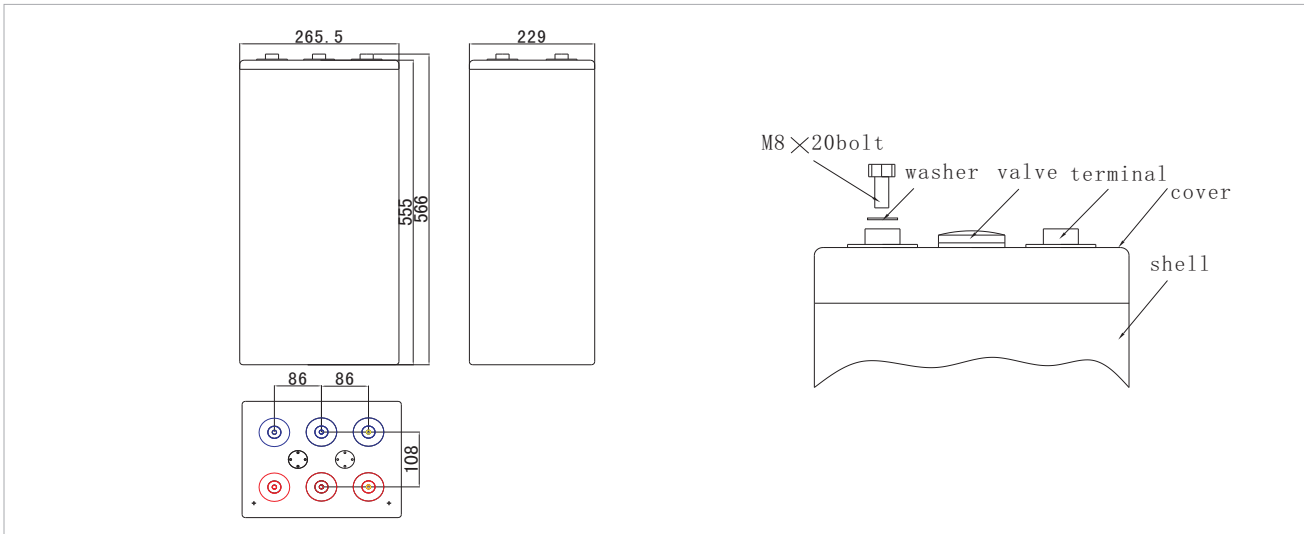
End voltage per cell	5min	15min	30min	1hr	2hr	3hr	4hr	5hr	6hr	8hr	10hr	24hr
1.60V	4239.5	3550.6	2827.2	2013.2	1299.0	962.2	767.3	635.5	542.8	424.3	346.4	156.2
1.65V	4032.1	3407.4	2674.1	1860.2	1191.6	903.0	727.8	613.3	525.5	408.6	338.1	153.2
1.70V	3876.5	3286.4	2607.4	1771.4	1157.1	870.9	703.1	599.5	515.1	399.7	328.1	150.2
1.75V	3755.5	3163.0	2518.5	1702.3	1116.1	838.8	688.3	584.7	503.3	384.9	323.2	148.8
1.80V	3651.8	3014.8	2429.6	1662.9	1095.4	809.2	666.1	568.4	488.5	375.0	318.3	146.5
1.85V	3321.0	2745.7	2160.5	1512.4	1006.6	766.3	640.5	541.8	462.6	362.7	305.9	140.6
1.90V	2930.9	2382.7	1822.2	1302.7	873.4	710.5	596.3	506.3	432.2	339.3	283.7	131.7

stored energy solutions for a demanding world



Model: **GFM1500**

GFM Series



TYSONIC BATTERY INC.

1032 East Main Street . Alhambra, CA 91801 USA
 Toll Free: 877-897-6648 . Tel: (626) 289-5962 . Fax: (626) 576-2503
<http://www.tysonicbattery.com> . Email: info@tysonicbattery.com

