



NON-SPILLABLE SEALED RECHARGEABLE BATTERY

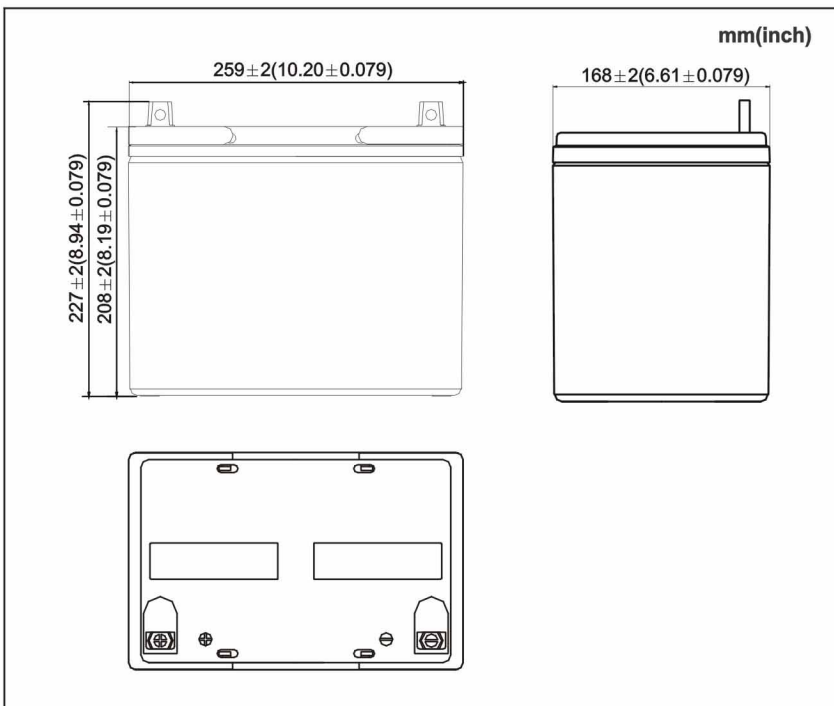
HRL12300W

☆ SPECIFICATION	☆ CHARACTERISTICS
● NOMINAL VOLTAGE : 12 V	● CAPACITY 25 °C / 77 °F
● NOMINAL POWER(15Min) : 300W/Cell	20 hr @ 3.75 A : 75 Ah
● DIMENSIONS	10 hr @ 6.75 A : 67.5 Ah
TOTAL HEIGHT : 227 mm (8.94 inches)	5 hr @ 12 A : 60 Ah
CONTAINER HEIGHT : 208 mm (8.19 inches)	1 hr @ 45 A : 45 Ah
LENGTH : 259 mm (10.20 inches)	1 C @ 75 A : 37.5 Ah
WIDTH : 168 mm (6.61 inches)	● INTERNAL RESISTANCE(25°C , 77 °F) : 7.5 mΩ
WEIGHT : APPROX 26.5 kg (58.42 lbs)	● CHARGING VOLTAGE (25°C , 77 °F)
● MAX DISCHARGE CURRENT : 600 A (5 sec)	STANDBY USE : 2.275±0.025 V/CELL
● MAX SHORT- DURATION DISCHARGE CURRENT : 1500 A(0.1 sec)	: (-3.3mV / °C / CELL)
● STANDARD TERMINALS : FP-16, FP-17 / FP-24 / RT-07	CYCLE USE : 2.45±0.05 V/CELL
● CONTAINER MATERIAL : GENERAL GRADE ABS	: (-5 mV / °C / CELL)
	● MAX CHARGING CURRENT : 22.5 A

CONSTANT POWER DISCHARGE CHARACTERISTICS UNIT: WATT(25°C,77°F) M: MINUTE H: HOUR							
F.V. \ TIME	5M	10M	15M	30M	1H	2H	3H
1.60V	618.49W	392.91W	294.10W	172.88W	98.93W	54.94W	38.34W
1.70V	573.21W	374.20W	283.19W	168.58W	96.98W	54.03W	37.66W
1.80V	504.48W	337.38W	258.84W	157.37W	92.18W	52.06W	36.52W

CONSTANT CURRENT DISCHARGE CHARACTERISTICS UNIT: AMPERE(25°C,77°F) M: MINUTE H: HOUR							
F.V. \ TIME	5M	10M	15M	30M	1H	2H	3H
1.60V	331.93A	204.99A	152.91A	88.23A	49.76A	27.47A	19.17A
1.70V	307.63A	195.23A	147.24A	86.03A	48.77A	27.01A	18.83A
1.80V	270.74A	176.02A	134.58A	80.31A	46.36A	26.03A	18.26A

☆ Dimensions



☆ Terminal

