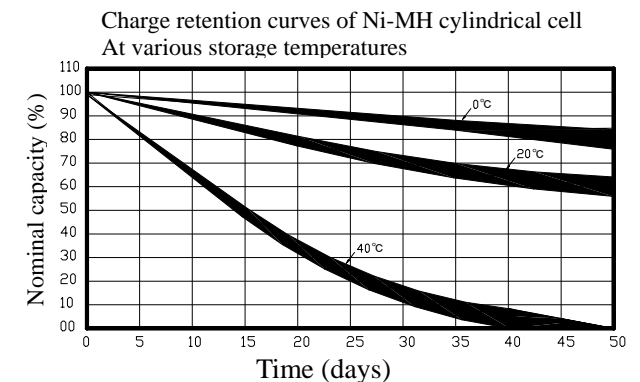
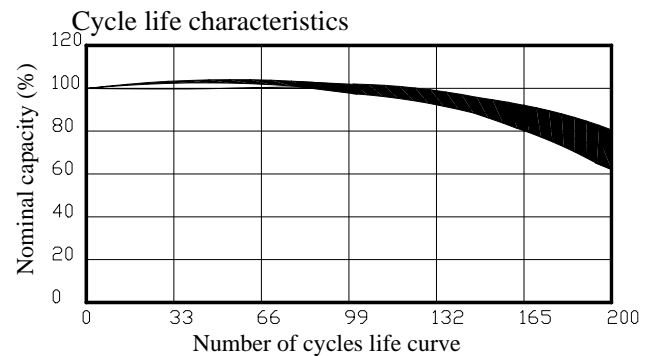
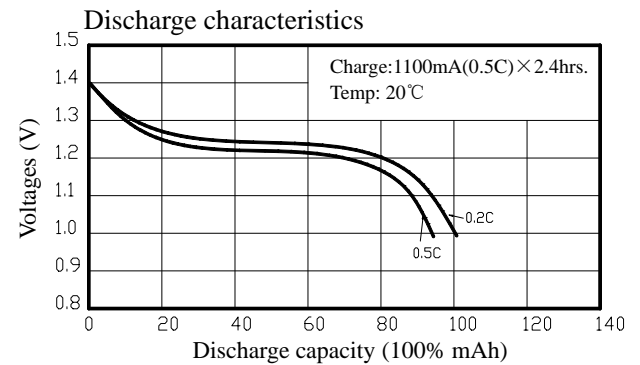
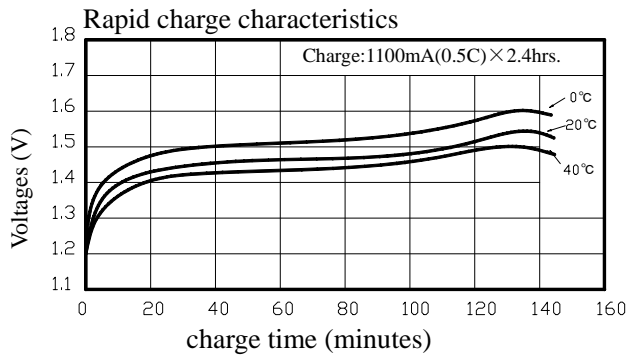
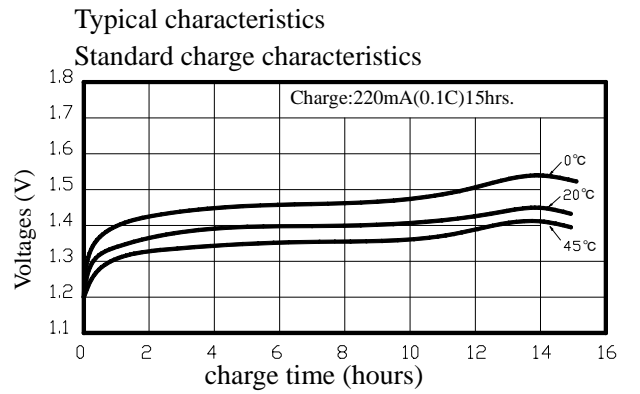
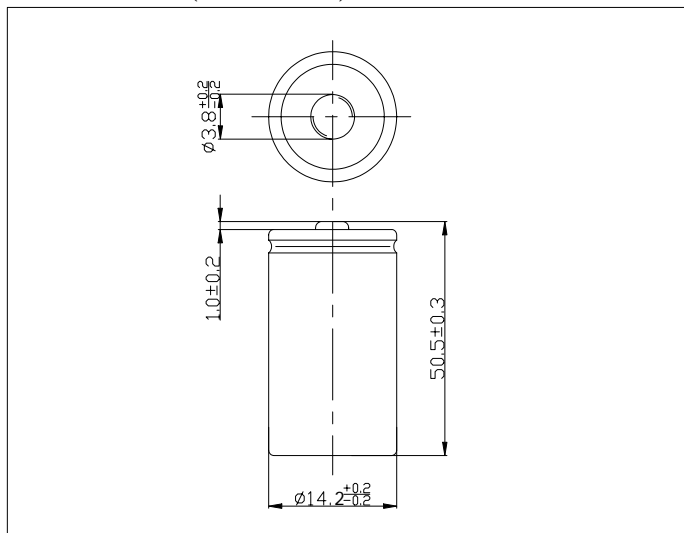


TYPE: AA2200mAh (High) Specifications

Nominal voltage		1.2V	
Capacity	0.2C Discharge		
	Minimum	2200mAh	
	Typical	2250mAh	
Dimensions	Diameter	mm	inch
		14.2 ^{±0.2}	0.55 ^{±0.008}
	Height	50.5 ^{±0.3}	1.97 ^{±0.012}
Weight(Approximately)		Grams	Ounces
		30.5	1.08
Internal Impedance At 1000 Hz		25mΩ(Max) (After Charge)	
Charge	Standard	220mA(0.1C)×15hrs	
	Rapid	1100mA(0.5C)×2.4hrs	
Ambient temperature	Charge		°C
			°F
	standard	0°C to 45°C	32°F to 113°F
	Rapid	10°C to 40°C	50°F to 104°F
	Discharge	-20°C to 65°C	-4°F to 149°F
storage	-20°C to 45°C	-4°F to 113°F	



Dimensions(with tube) (mm)



Note:

1. After charging at 0.1C for 15hours.
2. Nominal capacity,rated at 0.2C 20°C .
3. Average capacity,for reference only.
4. Weight and internal impedance are For reference.
5. Standard according as IEC of test cycle life .