

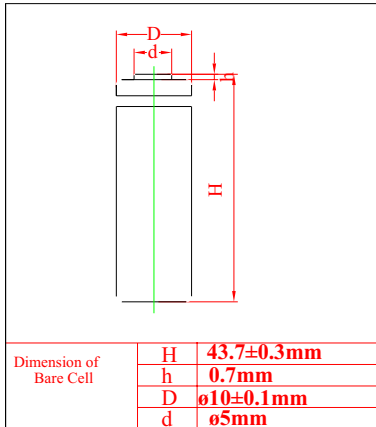


Ni-MH

BATTERY

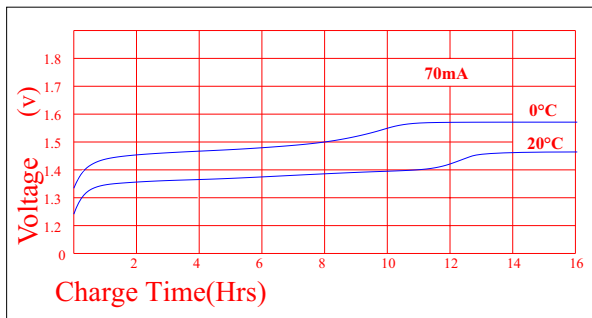
SIZE: TY-AAA-700MAH

Specifications

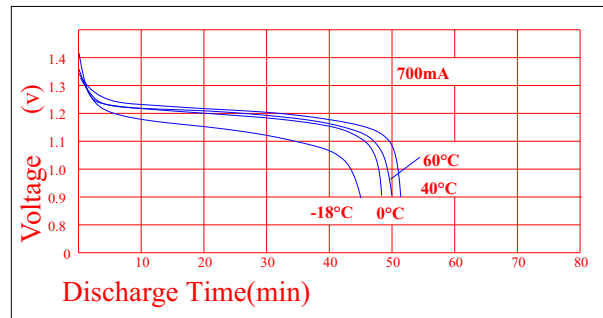


Nominal Capacity	700mAh			
Nominal Voltage	1.2V			
Cycle life	>500			
Charge	Standard	70mA	15h	0~45°C
	Quick	210mA	5h	5~45°C
	Fast	700mA	1.1h	10~45°C
Discharge	-20°C~65-20°C			
Storage				
Internal Impedance(AC) (After Charge)	32m ..			
Weight	13g			

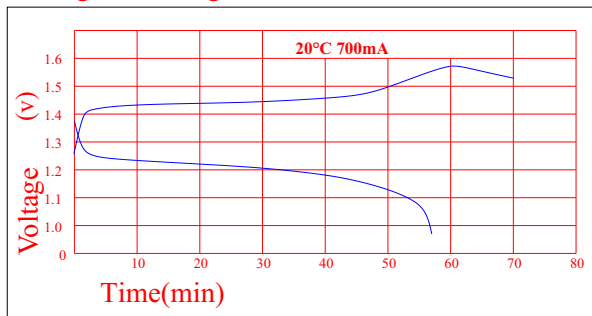
Charge



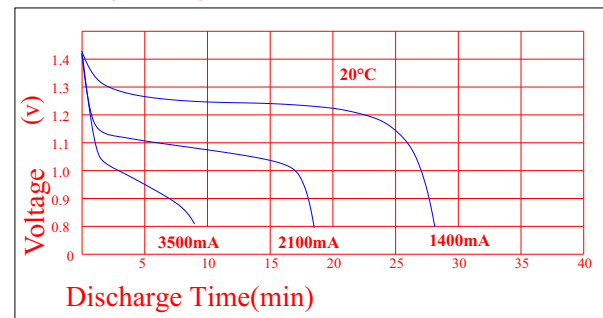
Discharge(at high rate)



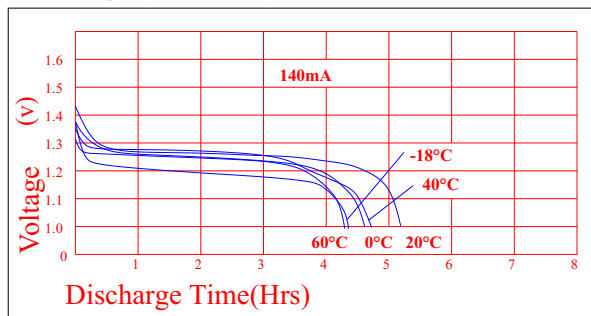
Charge Discharge



Discharge(at high rate)



Discharge (at low rate)



Charge Retention

