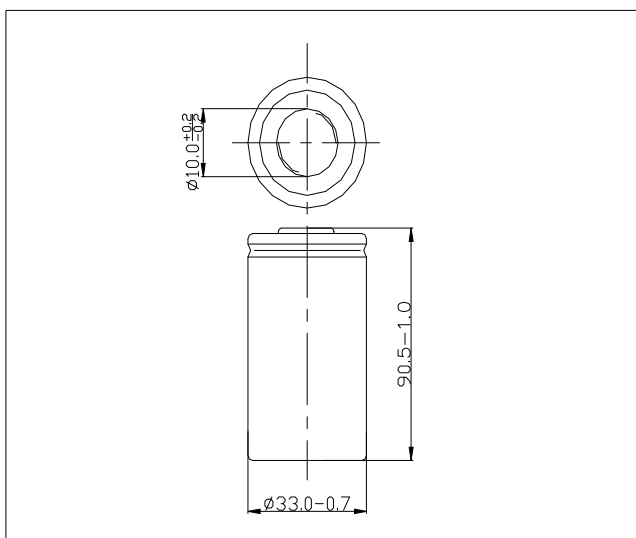


TYSONIC TY-F-13000

Specifications of single cell

标称电压 Nominal voltage		1.2V	
容量 Capacity		0.2C 放电 Discharge	30A 放电 Discharge
	最小 Minimum	270min	19.8min
	典型 Typical	300min	21.0min
尺寸 Dimensions		mm	
	直径 Diameter	33.0 ^{+0.7}	
	高 Height	90.5 ^{-1.0}	
大约重量 Weight(Approximately)		克 gram	
		258	
电阻 Internal Impedance At 1000 Hz		6mΩ(Max) (充电后 After Charge)	
充电 Charge	标准 Standard	1300mA(0.1C)×15hrs	
	快速 Rapid	2600mA(0.2C)×6.0hrs	
环境温度 Ambient temperature	充电 Charge	标准 standard	0°C to 40°C
		快速 Rapid	0°C to 40°C
	放电 Discharge		-20°C to 50°C
	贮藏 Storage		-20°C to 30°C

单颗电池尺寸包括 PVC (Dimensions with tube)

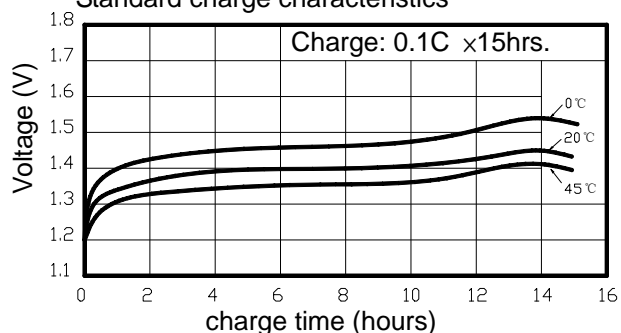


备注 Note:

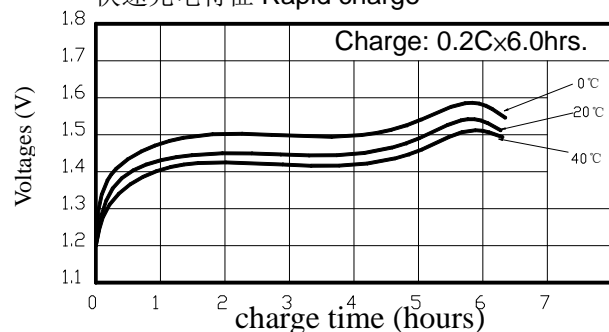
- 标称容量是指 20°C 时 0.2C 放电容量
Nominal capacity, rated at 0.2C 20°C.
- 容量只作为参考
Average capacity, for reference only.
- 重量和内阻也作为参考
Weight and internal impedance are For reference.
- 寿命测试依照 IEC 标准
Standard according as IEC of test cycle life.

Typical characteristics

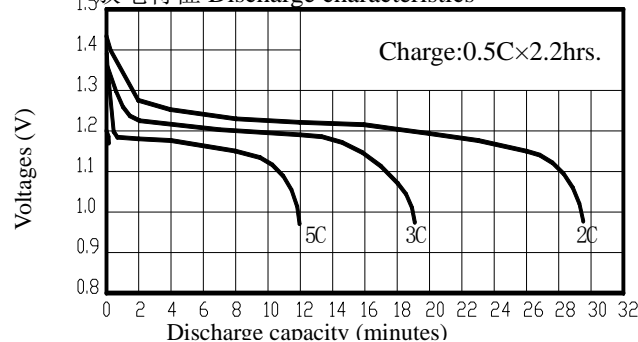
Standard charge characteristics



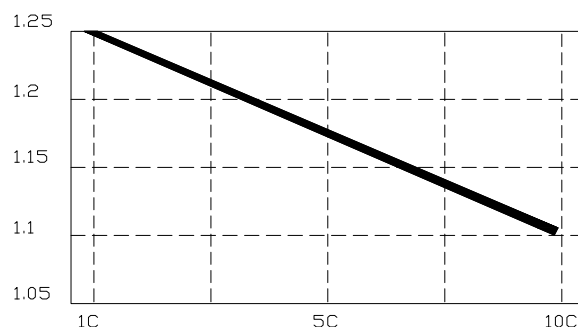
快速充电特征 Rapid charge



放电特征 Discharge characteristics



MPV (V)



Ni-MH 圆柱型电池在不同的温度荷电保持曲线图 Charge retention curves of Ni-MH cylindrical cell At various storage temperatures

