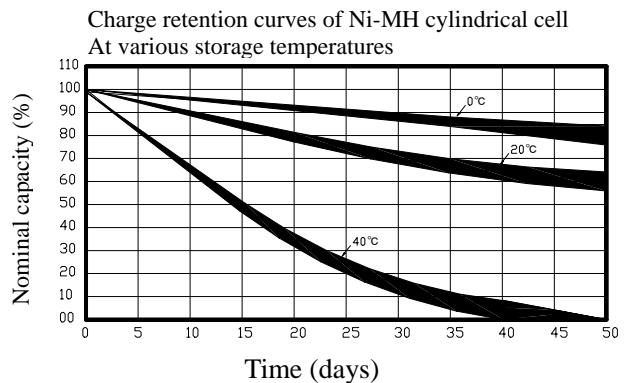
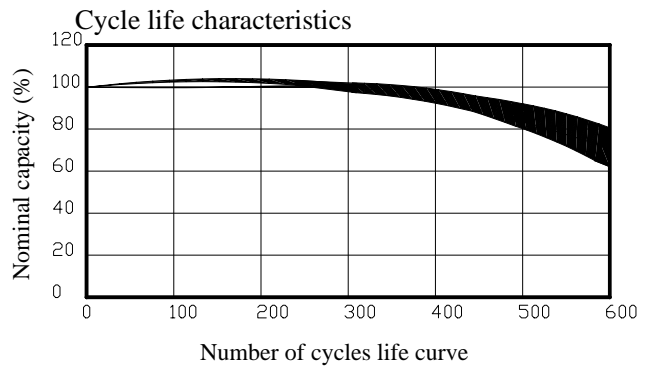
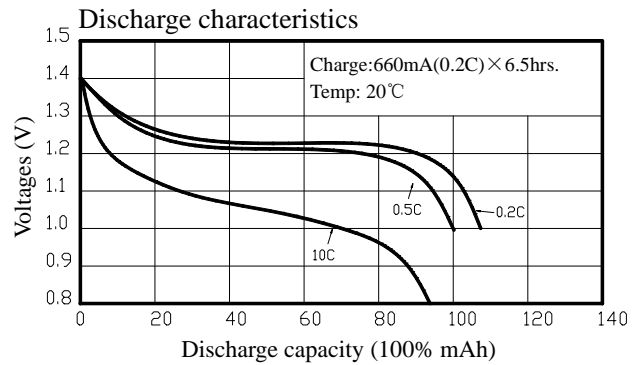
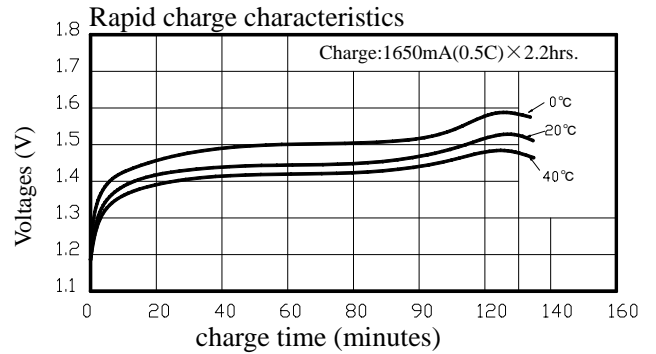
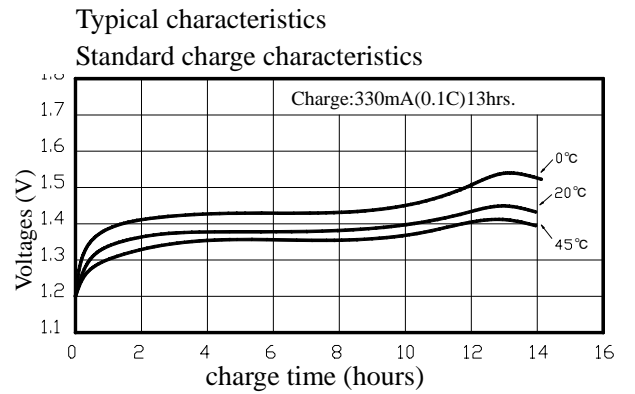
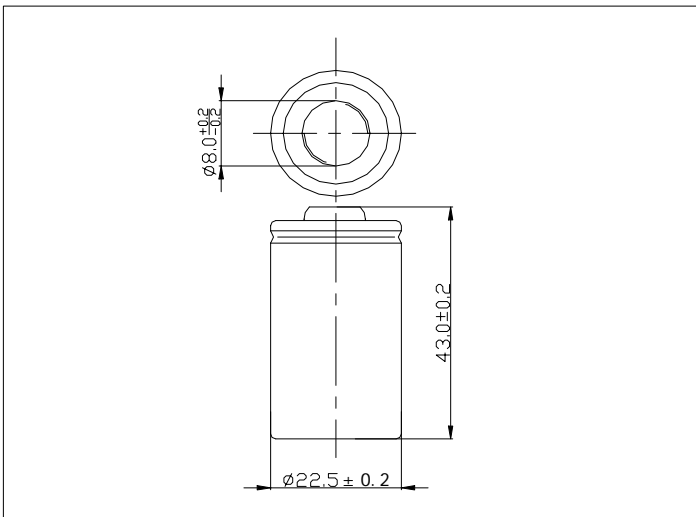


**TYPE: SC3300mAh (Flat)**  
**Specifications**

<b>Nominal voltage</b>		<b>1.2V</b>	
<b>Capacity</b>		<b>1.0C Discharge</b>	<b>10C Discharge</b>
	<b>Minimum</b>	3200mAh	2950mAh
	<b>Typical</b>	3300mAh	3100mAh
<b>Dimensions</b>	<b>Diameter</b>	<b>mm</b>	<b>inch</b>
		$22.5 \pm 0.2$	$0.89 \pm 0.008$
		<b>Height</b>	$43.0 \pm 0.2$
<b>Weight(Approximately)</b>		<b>Grams</b>	<b>Ounces</b>
		65	2.29
<b>Internal Impedance At 1000 Hz</b>		<b>6mΩ(Max) (After Charge)</b>	
<b>Charge</b>	<b>Standard</b>	660mA(0.2C) × 6.5hrs	
	<b>Rapid</b>	1650mA(0.5C) × 2.2hrs	
<b>Ambient temperature</b>	<b>Charge</b>	<b>standard</b>	<b>°C</b>
			<b>°F</b>
	<b>Rapid</b>	0°C to 45°C	32°F to 113°F
	<b>Discharge</b>	10°C to 40°C	50°F to 104°F
	<b>storage</b>	-20°C to 65°C	-4°F to 149°F
		-20°C to 45°C	-4°F to 113°F



**Dimensions(with tube)** (mm)



**Note:**

1. After charging at 0.1C for 15hours.
2. Nominal capacity, rated at 0.2C 20°C.
3. Average capacity, for reference only.
4. Weight and internal impedance are For reference.
5. Standard according as IEC of test cycle life.